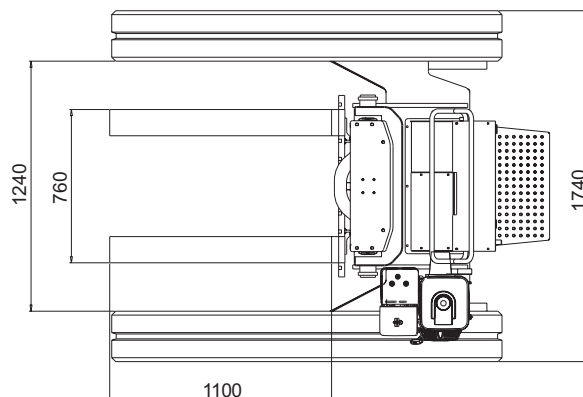
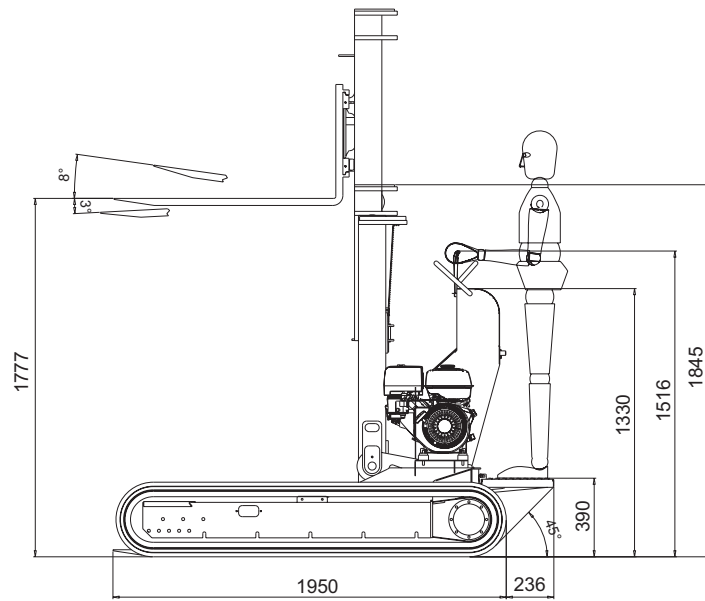
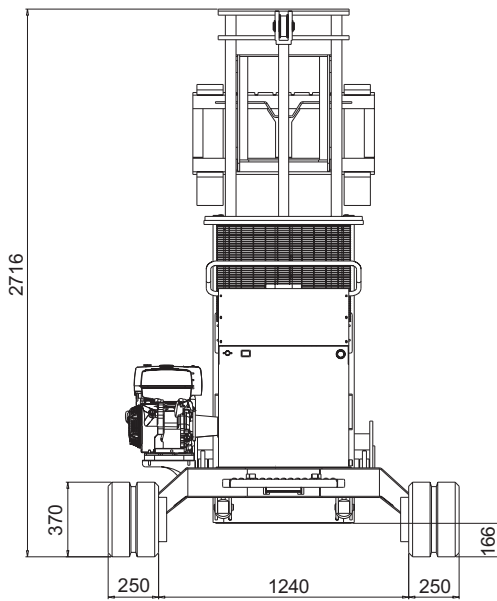
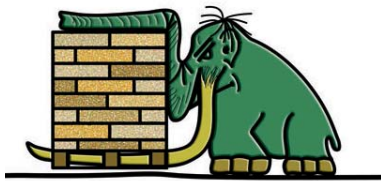


TRACKED FORKLIFT TP1800





GREEN MAMMOTH®

Hinowa®

TRACKED FORKLIFT TP1800

PETROL ENGINE

BrandHONDA
TypeGX390
Pistons and displacementsingle-cylinder 389 cm³
Max gross power @ rev/min.....13 HP - 9,6 Kw @ 3600 rpm
Max gross power3500 rpm
Start..... electric

DISTRIBUTOR

TypeMechanical

HYDRAULIC PUMP

Type and number..... n° 3 x 4 cm³ gear pumps
Liters/min capacity15 l/m
Pressure185 bar P1 - P2 /140 bar P3
Tank capacity49 l

DRIVE MOTOR

Typeorbital
Displacement100 cc

TRACKS

Track tensionergrease track tensioner
Dimensions.....250 x 57 x 72 mm
Rollers per side5
Translation speed.....1,5 km/h - 2,2 km/h
Fixed undercarriage.....1740 mm
Nominal capacity (incl. kit) 1800 kg
Ground pressure0,38 kg/cm²

OPERATING WEIGHT (without operator)1200 kg

FUEL TANK

Petrol6,5 liters