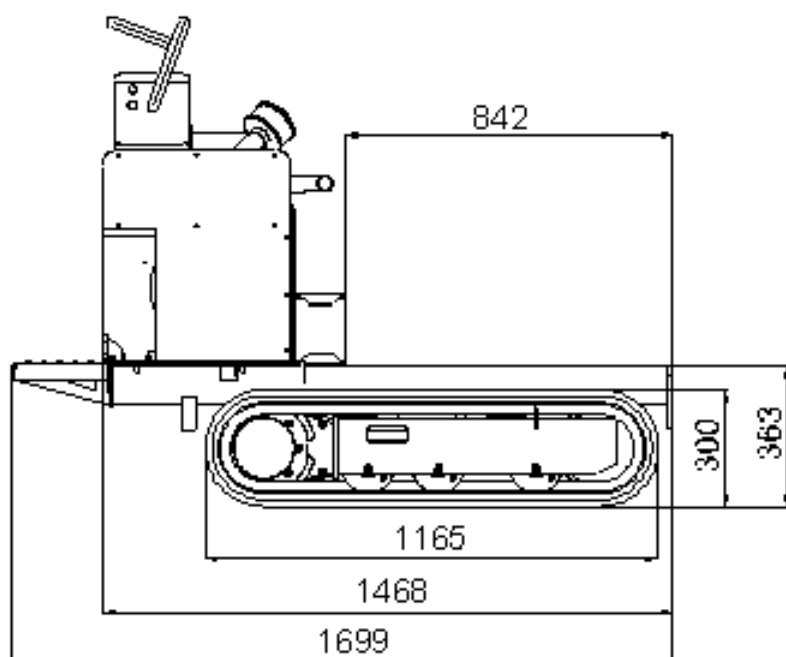
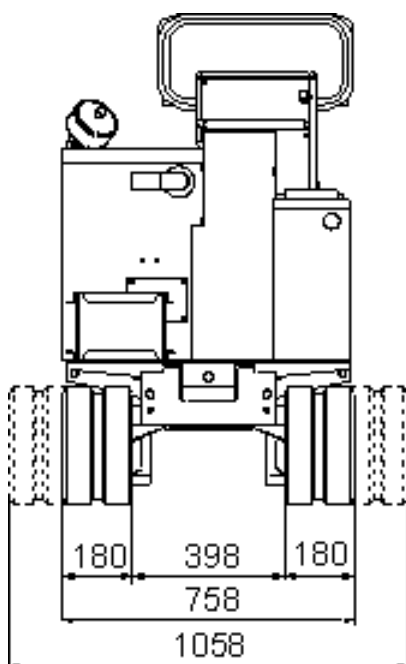




MINIDUMPER HS850 DIESEL



MINIDUMPER HS850

DIESEL

Diesel engine

BrandYANMAR
Type L100AE
Pistons and displacement Single-cylinder 406 cc
Max gross power @ rev/min 10 HP - 7,35 kw @ 3600 rev/min
Max gross power 3500 rev/min
Electric start 12 volt
Performance Max inclination 20° (approx. 36,4%)
Granted noise level Lwa 101 dB

Distributor

Type Mechanical

Hydraulic pumps

Number and type n° 3 gear pumps
Liters/min capacity 14,5 l/min

Drive motors

Type Orbital
Displacement 65 cc

Tracks

Track tensioner Grease track tensioner
Brand BRIDGESTONE
Dimensions 180 x 72 x 35 mm
Rollers per side 3
Translation speed 2,0 - 3,0 km/h
Fixed undercarriage 758 / 1058 mm
Capacity (incl. kit) 850 kg

Operating weight fixed undercarriage / widening
(without operator) 445 / 530kg
Petrol fuel tank 5,5 liters