



MINIDUMPER HS 400 SELF LOADING DUMPER BED VERSION WITH HI-TIP



Technical data HS400 self loading
dumper bed version with hi-tip

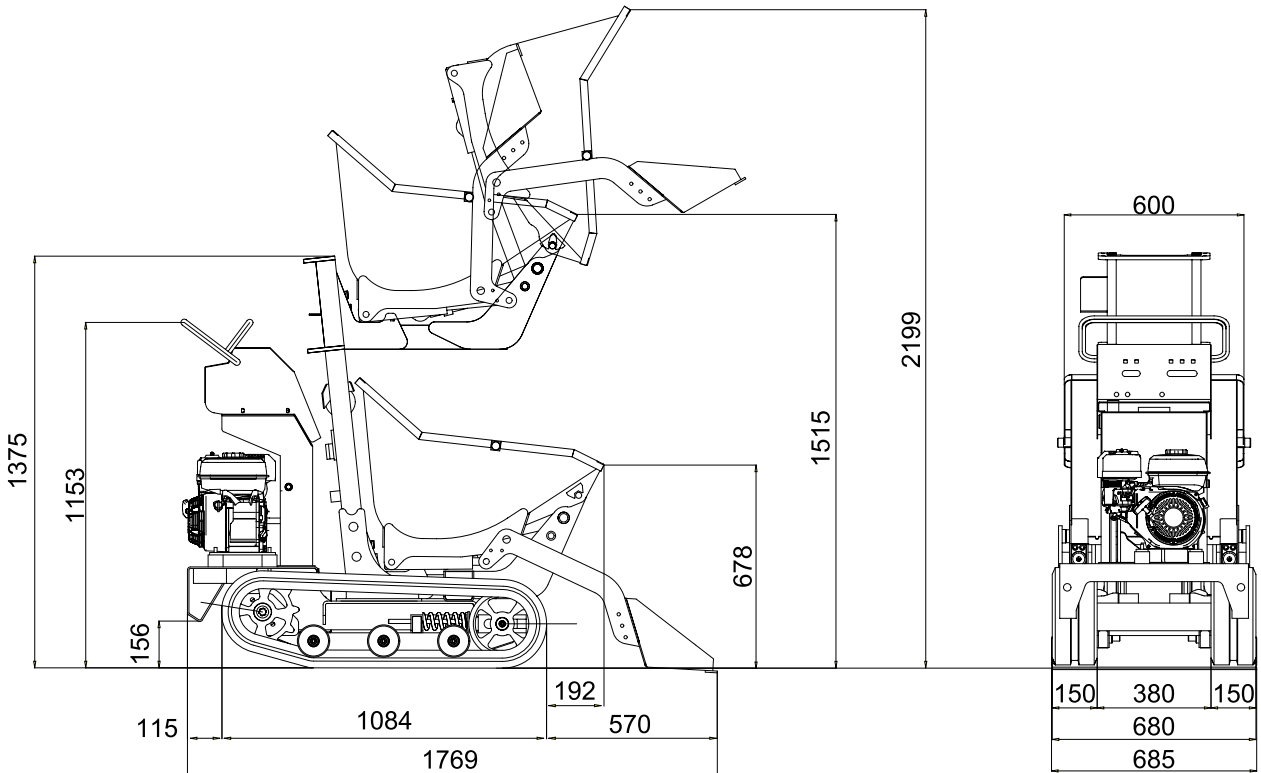
Weight.....430 kg

Dumper bed capacity.....0,14m³

Max. capacity.....280 kg

Max. width.....685 mm

Granted noise level.....101 dB



MINIDUMPER HS 400

SELF LOADING DUMPER BED

VERSION WITH HI-TIP

PETROL ENGINE

BrandHONDA
TypeGX200
Pistons and displacementSingle-cylinder 196 cc
Max gross power @ rev/min.6,5 HP - 4,8 Kw @ 3600 rpm
Max gross power3500 rpm
Startmanual
PerformanceMax inclination 25° (approx. 60%)
Granted noise levelLwa 101dB

DISTRIBUTOR

Type.....mechanical

HYDRAULIC PUMP

Number and type gear pumps n° 2 x 10.5 lpm
Max pressure110 bar
Hydraulic oil tank capacity12,5 liters

REDUCTION GEAR DRIVE

Displacement250 cc

TRACKS

Track tensionerSpring track tensioner
Dimensions160 x 33 x 72
Rollers per side.....n° 3
Translation speed1,7 km/h
Undercarriage fixed width mm 680
Capacity (incl. kit) kg 280

OPERATING WEIGHT (without operator).....kg 430

PETROL FUEL TANKliters 3.6