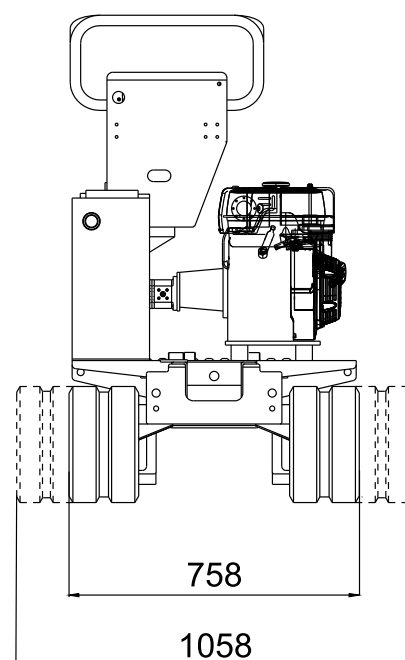
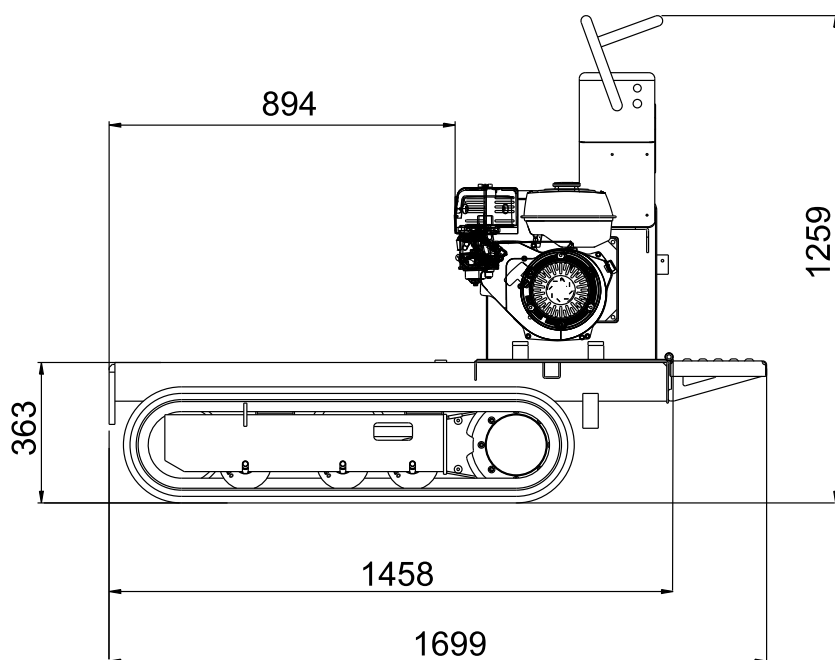


HS850



HS850

PETROL ENGINE

Brand and type.....HONDA GX270
Pistons and displacement.....single-cylinder 270 cc
Max gross power8,4 HP - 6,3 kW @ 3600 rpm
Startingmanual
Fuel tank5,3 liters

DISTRIBUTOR

Type mechanical

HYDRAULIC PUMPS

Number and typen° 3 gear pumps

TRACKS

Track tensioner.....grease
Track width180 mm
Rollers per side.....3 + slide
Undercarriage width open/close758 - 1058 mm

PERFORMANCE

Translation speed2,1 - 3,4 km/h
Max. inclination20° (36,4%)
Granted noise levelLwa 101 dB

CAPACITY (including kit).....850 kg

OPERATING WEIGHT (without operator)

Fixed/widening undercarriage.....385 kg / 470 kg